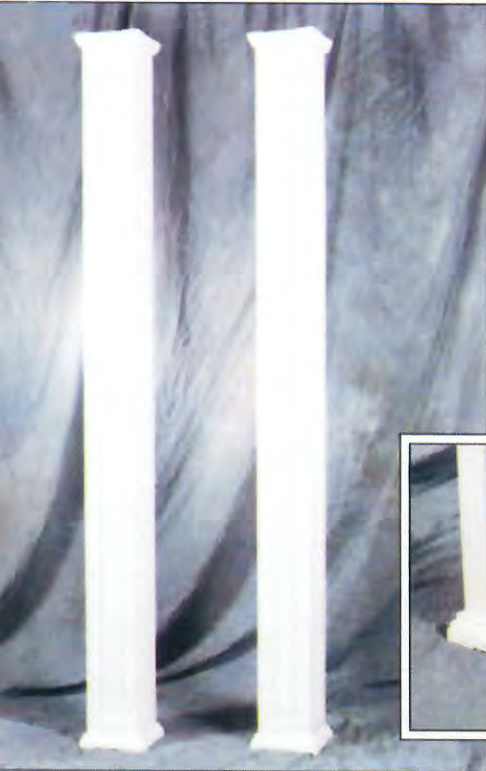
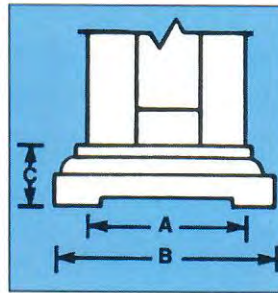


Designer Square Panel Columns



The designer square columns are completely maintenance free. Made of heavy gauge aluminum for even greater support. Designer columns can be painted in any desired color. Vinyl acrylic paint is recommended. Easy to assemble and install. See instruction below.



DESIGNER SQUARE COLUMNS		
Col Dia.	Standard Length	Approx. Weight Load *
6"	8' - 9' - 10' - 12'	24,500
8"	8' - 9' - 10' - 12' 16' - 18'	32,500
10"	10' - 12' - 16' - 20'	35,700

* Maximum Load – No Safety Factor Included Available In White Only.

6" and 8" also available in Clay color

SIZE	CAP & BASE SIZE INCHES			
	ACT. SIZE	A	B	C
6"	5 1/2"	7 3/8"	1 3/4"	1 3/4"
8"	7 1/2"	9 3/8"	1 3/4"	1 3/4"
10"	9 1/2"	11 3/8"	1 3/4"	1 3/4"

ASSEMBLY and INSTALLATION



1. Measure required length. Using hack saw, cut column quarter sections. Cut slightly longer for a tight fit.



2. Fit four sections together, tongue into groove. It is best to put two quarter sections together. Repeat with other two sections. Next adjoin the two half sections tongue into groove and tap with heel of hand until sections snap and lock together.



3. Locate top and bottom trim panels in recessed area of column quarter with grooves nearest ends of column section. For 6", 8" and 10" columns, the exposed surface area of trim panels should be the same as width of column side panel. For this measurement, plus cap or base height, refer to dimension in chart below.

Column Width	Dimension
6"	1 1/2"
8"	2"
10"	2 1/2"



4. Drill a 1/8" hole through column and attach trim panel to the column with a No. 8 x 3/4" Lg. Phillips flat head stainless sheet metal screw furnished. Follow the same procedure on all four sections.

5. Slide cap and base onto column. Set column in place, level it, then remove props.



6. Secured columns in place (optional). Locate L-shaped brackets around column top and bottom. Drill holes and secure in place to upper and lower structure.



7. Secured caps in place. Drill two holes opposite each other, through cap and into column. Secure cap in place with screws.

8. Wrap-around columns with optional split caps and bases. Panel columns can also easily be fitted around existing columns, post, or around special structural members.

**ECONOMICAL,
MAINTENANCE FREE
ALUMINUM COMMERCIAL
OR RESIDENTIAL RAILING**

Colors Available



WHITE BLACK BRONZE CLAY ALMOND HUNTER GREEN CRANBERRY RED WICKER

Complete installation instructions are packed with each rail section. Standard commercial railing height is 36", 32" pickets, 4" on center and 4" extended picket.

Other Sizes Available

Rail height 42" with 38" pickets 4" on center and 4" extended picket. Other sizes either or lower or higher could be made upon request.

Rail height 48" with 44" pickets 4" on center and 4" extended picket. Two center support flanges required on 5', 7', 9' and over. One required for 4', 6' and 8'.

Designer Railing

2 1/2" Top Channel
2 1/2" Bottom Channel
A-Style - 3/4" x 1/2" pickets on 4" Centers.
B-Style - 2" x 1/2" pickets on 4" Centers.

All connectors are cast Alum-Alloy. A380

All fasteners are Stainless Steel.

Newel Posts

2 3/4" x 2 3/4"
Heights 38", 44", 50"
Bottom flange is welded on (M.I.G. weld) with a 2 3/4" bead on each side for extraordinary strength.

All Aluminum extrusions are Alloy 6005-T5 30-40% stronger than standard 6063-T5.



**D-200
Straight Connector Adapter**
4 - per pkg. used for connecting rails to round columns.



**D-201
Straight Rail Connector**
Package includes:
4 - diecast Aluminum connectors
8 - Self tapping No 10 x 1" Stainless steel screws.



**D-202
Pitched Rail Connector**
Package includes:
1 - Cast mounting for top and straight connector.



1 - Cast mounting for bottom and straight connector.
4 - Aluminum binding bolts.
8 - No 10 x 1" Stainless steel screws.



**D-203
Center Support Flange**
Used with 4, 5, 6, 7, 8, foot sections for surface mounting of extended 3/4" by 1/2" picket.



A-Style
3/4" x 1/2" Picket.
B-Style
2" x 1/2" Picket.



Newel Post
DNP-38
DNP-44
DNP-50
Extruded 2 3/4" Aluminum Tubing.
Available in 38", 44" and 50" lengths.



**D-205
Crossover Cap**
For connecting rails over posts or for support of long rail sections.



**D-209
Horizontal Swivel Connector**
2 per pkg. used for octagon or round decks.

Hand Rail
DHR-308 - 8' Hand Rail
DHR-312 - 12' Hand Rail
DHR-316 - 16' Hand Rail



D-501 Lag Screw
3/8" by 2 1/2"
4 per pkg. Stainless Steel
D-505 Lead Insert
3/8" by 2 1/2" - 4 per pkg.
D-502 Masonry Anchor
3/8" by 2 1/2" (curved spike)
4 per pkg. Stainless Steel



**DHR-302
Hand Rail
End Knobs**
**DHR-301
Plus Wall
Brackets**



**D-405
Adjustable Newel
Post Flange**
Mainly used for ramps or any sloped area.



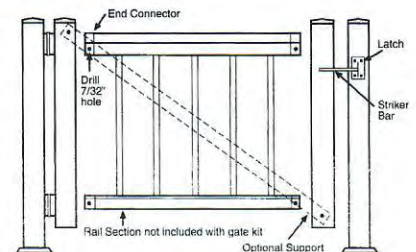
**D-406
Aluminum
Ball Caps**
2 1/2"
Cap for Designer Newel Posts.

Gate Kits Available

Included in kits, connectors, 2 posts, hinges, latch, striker bar and all screw.

Rail section not included with gate kit.

Optional - A diagonal support picket should be added on gates over 3 foot wide.



STYLE-RITE Industries

**ORNAMENTAL
ALUMINUM**

**RAILINGS and
ROUND • SQUARE COLUMNS**



GAZEBO at LAKEVIEW LOUNGE, GREENSBURG, PA

Porch and Step Railings



ECONOMICAL, MAINTENANCE FREE ALUMINUM RESIDENTIAL RAILING

Accent White Satin Black Walnut Brown
Almond Pebble Stone Clay

- EASY TO INSTALL
- DESIGNED FOR PORCH OR STEPS
- BEAUTIFUL INDOORS AS WELL AS OUTDOORS

DO IT YOURSELF

Complete Installation Instructions are packed with each article.

BLACK, WHITE, WALNUT BROWN, ALMOND or PEBBLE STONE CLAY Baked Enamel. All Railing Sections Assembled.
GATES AVAILABLE ON REQUEST.

- R-103 - 3 ft. Rail Section
- R-104 - 4 ft. Rail Section
- R-105 - 5 ft. Rail Section
- R-106 - 6 ft. Rail Section
- R-107 - 7 ft. Rail Section
- R-108 - 8 ft. Rail Section
- R-112 - 12 ft. Rail Section

Standard rail height 30" - 24"
Picket - 6" ext. Picket.

Other Sizes Available
Rail height 36" - 30" Picket - 6" ext. Picket.
Rail height 36" - 34" Picket - 2" Ext. Picket.

Standard Picket Centers is 6".
Pickets on 4" centers are also available in all rail heights.



NP 31 Newel Post
NP 36 Newel Post
NP 38 Newel Post

Extruded 1½" Aluminum Tubing.

Available in 31", 36" and 38" lengths.



A-205
Crossover Cap



For connecting rails over posts or for support of long rail sections.

CODE RAILING

in White, Black, Almond, Clay and Brown



Height is 36",
pickets 4" on center.

All accessories are interchangeable with the standard rail.

A-204



Lamb's tongue gives finished decorative effect to Newel Posts.



A-207
Diamond Scrolls

Centered on picket as shown.

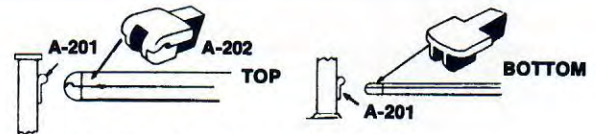


A-206
Heart Scrolls



A-203

Center support flange. Used with 4, 5, 6, 7, 8, and 12 foot sections for surface mounting or combining long ½" square center picket.



A-201 Straight Rail Connectors

Package includes:

- 4 — Polycarbonate mountings for fastening rail to post.
- 4 — Aluminum binding posts and screws (13/64" — #4 drill)

- 8 — Self tapping screws #8 x 5/8" Phillips head for fastening cast mounting to post (7/32" — #2 drill).

Used to connect railings to post, columns or walls with railing mitered for steps or rail ends square cut for porch or patio.

A-202 Pitched Rail Connectors

Package includes:

- 1 — Polycarbonate mounting for top rail
- 1 — Polycarbonate mounting for bottom rail
- 2 — Aluminum binding posts

Assembly and Installation

Style-Rite Columns are suitable for both new construction and for wraparound installations; the figures below have been prepared accordingly. Figures 1, 2 and 3 are common to both applications and should be closely followed for a proper installation. Figures 4a and 4b cover wraparound, while figures 5a and 5b are for new applications.

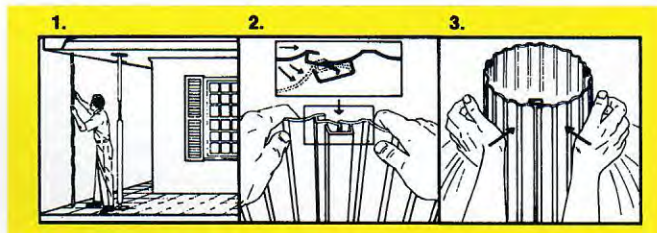
NOTE: 12" and 15" round columns do not have wraparound features.

INSTALLATION

Columns install easily and quickly, around existing columns or independently, affording added versatility. The "snap lock" feature fastens the sections and makes them fast. Packed one column per carton, caps and bases in master cartons.

Recommended installation procedures are shown below and to the right for both new construction and "wraparound" work and should be carefully followed for a suitable application.

1. Measure required height (NOTE: for new construction, add 1/4" to measured height. For wraparound installation, subtract 1/4" from measured height) and cut column staves with a hacksaw prior to assembly.
2. Assemble staves by rotating together.
3. Assemble final interlock by rapping with the heels of the hands, starting at one end of the column.

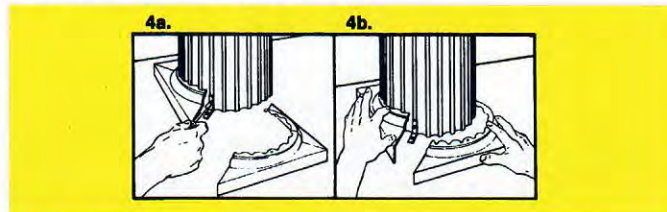


NOTE: Square column assembly instructions are basically the same as the round column. **12" round column assembly - See Instructions.**

WRAPAROUND

4a. Cut base with hacksaw along diagonal, splitting lugs on underside of base. Place 1/2 of the split base around column, so that edge is parallel to edge of structure. Plumb column and align cap and base identification mark along a single column flute. Fasten column top and bottom with two angle brackets with either screws or rivets.

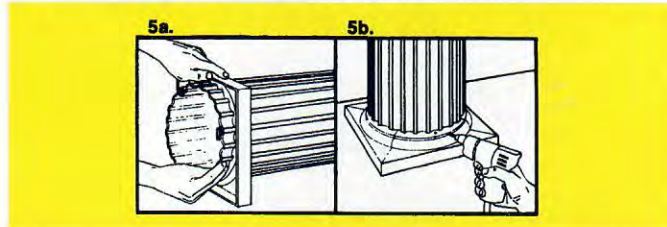
4b. Place second 1/2 of split base and cap around column and drill four 1/8" holes through base and cap and into column, in line with rib. Fasten with #8 x 1" sheet metal screws as in figure 5b.



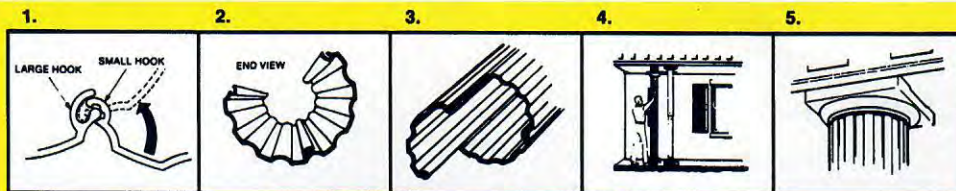
NEW CONSTRUCTION

5a. Slide cap and base on column ends. To avoid scratching of column, slide base on until bottom is flush with end of column. **NOTE:** Align square cap and base identification mark along a single column flute. Raise structure 1/2" to permit plumb installation of assembled column. Lower structure to secure column.

5b. Drill four 1/8" holes, equally spaced, through base and into column, in line with rib. Fasten with #8 x 1" sheet metal screws.



Assembly for 12" and 15" Round Column Only



Join sections together, small hooks curling into large hooks.

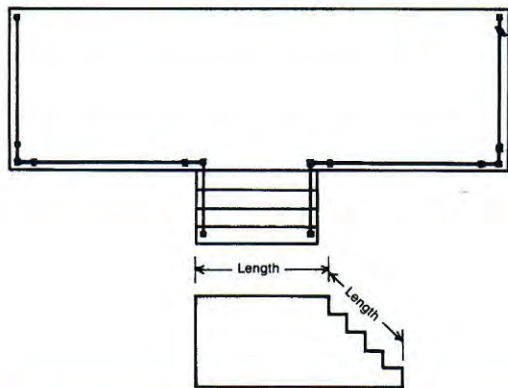
Join all sections in this way except one.

Slide final section into place, tapping gently with rubber mallet, if necessary.

Slide base and cap onto column. Set column in place and plumb with level.

Slide base and cap into finish position: remove props.

Planning Your Railing Installation



1. Adjustable rail sections may be used for either level platform or steps. Posts mount on any surface.
2. Draw line on platform to indicate where railing is to be installed. Line should be 3" or 4" in from edge of platform and side of steps.
3. Measure length of railing required in order to determine number of newel posts required.
 - a. Factory assembled sections may be combined to make up any length desired.
 - b. A 1 1/2" square newel post is used between each section.
 - c. On long railing installations use a newel post every 6 ft. for recommended strength.
4. Mark locations of end, intermediate or corner newel post. Remember if used include 9" Heart or Diamond Column.
5. Step Rail is measured from tip of porch to tip of bottom step and then subtracting 1 1/2". This will then be length of railing.
6. For steps the top and bottom rail ends can be cut to the desired angle with a hacksaw. However, optional connectors are available which will automatically adjust to the correct angle for all steps. Complete assembly and installation instructions are to be found in each rail package.

STYLE-RITE Industries

Manufacturers of Aluminum Products

P. O. Box 336 • Penn, PA 15675
1-800-789-5374

Phone 724-527-2866 Fax 724-527-3906

Style-Rite Extruded Round and Square Aluminum Columns. The look of traditional wood with the durability, strength, and low maintenance features of aluminum. These columns are recommended for new homes, commercial buildings,

and replacement of wooden columns on older buildings of all types. Style-Rite Columns feature a baked-on enamel finish in white, brown, wicker, almond and pebble stone clay. All fittings are die cast and painted with state of the art powder coat finish.



Listed below are various diameters and lengths available.

ROUND COLUMNS		
Col Dia.	Standard Length	Approx. Weight Load*
6"	8' - 9' - 10' - 12'	20,300
8"	8 - 9' - 10' - 12' 16' - 18'	30,000
10"	8 - 9' - 10' - 12' 16' - 18'	42,600
12"	8 - 9' - 10' - 12' 16' - 18' - 20' - 24'	52,250
15"	8 - 9' - 10' - 12' 16' - 18' - 20' - 24'	55,000

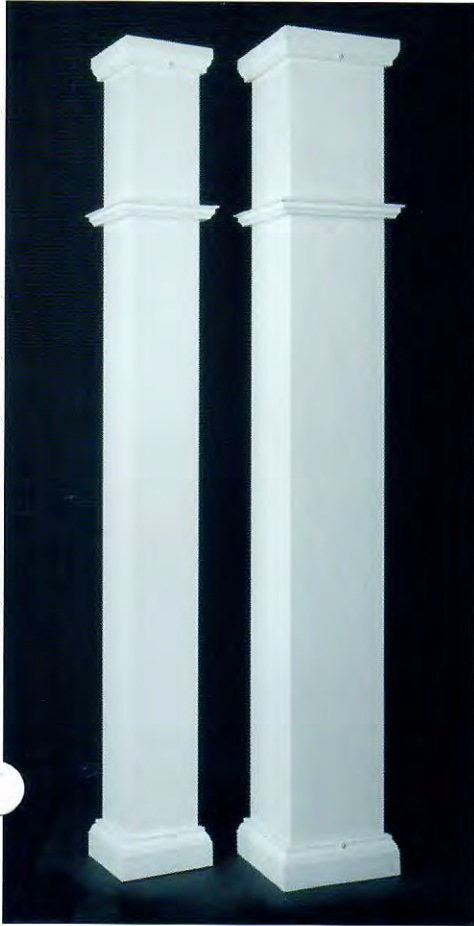
* Maximum Load - No Safety Factor Included

SQUARE COLUMNS		
Col Dia.	Standard Length	Approx. Weight Load*
3"	8' - 10'	8,000
4"	8' - 10'	16,800
6"	8' - 10' - 12'	22,700
8"	8' - 10' - 12' - 16'	30,300
10"	8' - 10' - 12' - 16' - 20'	33,300
12"	8' - 10' - 12' - 16' 18' - 20' - 24'	35,500

6", 8" and 10" Round are Available in Brown, Almond, Wicker, and Clay. 12" Round is Available in Almond. Square 4", 6" and 8" are Available in Brown, Almond, and Clay. Square 6", 8" and 10" Available in Wicker. 10" are Available in Almond. 3" only in White, Black and Bronze.

Savannah

Square Columns



The **Savannah** square columns are completely maintenance free.

Made of heavy gauge aluminum for even greater support.

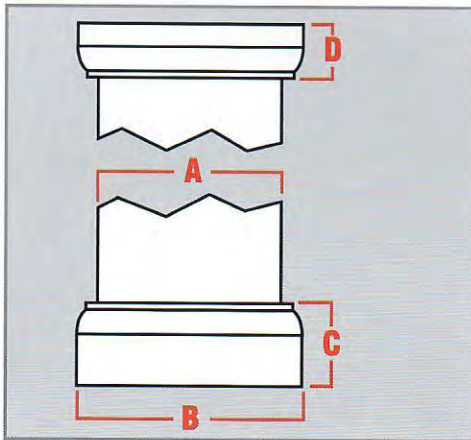
The **Savannah** columns can be painted in any desired color.

Vinyl acrylic paint is recommended.

Columns can also be pre-painted at the factory with a 30% up-charge.

Easy to assemble and install.

See instructions below.



SAVANNAH SQUARE COLUMNS		
Col. size	Standard Length	Approx. weight load*
6"	8' 9' 10' 12'	20,500
8"	8' 9' 10' 12' 16' 18'	26,500

* Maximum Load – No Safety Factor Included
Available in White only

SIZE	ACT. SIZE	CAP & BASE SIZE			
		A	B	C	D
6"	5 1/2"	7 3/8"	2 3/4"	2"	
8"	7 1/2"	9 3/8"	2 3/4"	2"	



ASSEMBLY and INSTALLATION



1 Measure the required length. Using a hack saw, cut the column slightly longer for a tight fit.



2 Fit the four sections together – tongue into groove. It is best to put two quarter sections together. Repeat with other two sections then join the two half sections together – tongue into groove – and tap with heel of the hand until sections snap and lock together.



3 Slide astragal ring over assembled column. Position at height desired (usually about 12 to 18 inches below the cap). Drill 1/8 inch hole through flat surface of astragal ring and into the column. Secure with 1 1/4 inch screws on at least two sides.



4 Slide cap and base onto each end of the column. The column must extend through the cap and base for proper installation.



5 Secure columns in place (optional). Locate L-shaped brackets around column top and bottom. Drill holes and secure in place to upper and lower structure.



6 Secure caps in place. Drill two holes opposite each other, through caps and into column. Secure caps in place with screws.

STYLE-RITE Industries

Manufacturers of Aluminum Products

P. O. Box 336 • Penn, PA 15675
1-800-789-5374

Phone 724-527-2866 Fax 724-527-3906

Ornamental Columns SUPPORT AND DECORATE

Columns also are completely maintenance free with all heavy gauge aluminum construction.



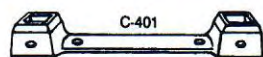
Round and square column colors - white, brown, almond, or pebble stone clay or can be painted any desired color. Vinyl acrylic paint is recommended.



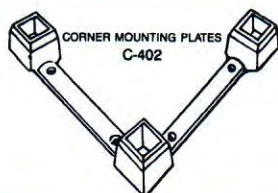
Flat and corner column mounting plates are made of heavy-painted cast aluminum, and are attached to the column.

Columns Available in 8 ft. and 10 ft. Lengths by 9 inch widths. Both the corner and flat column are structurally designed for roof structure support strength. Flat - 7,000 lbs., Corner - 11,000 lbs.

COLUMN MOUNTING PLATES AVAILABLE IN THESE VARIOUS STYLES



C-401
Flat Mounting Place



C-402
Corner Mounting Plates

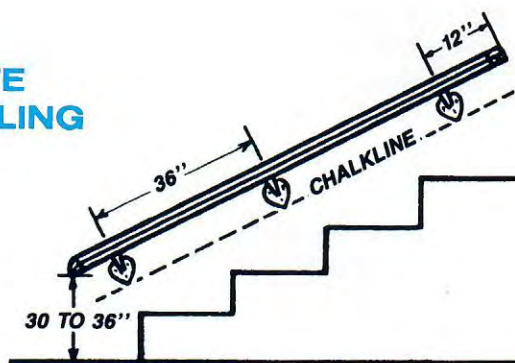


C-403
Adjustable Mounting Castings

STYLE-RITE HAND RAILING

Available in:

- HR-308 — 8 ft.
- HR-312 — 12 ft.
- HR-316 — 16 ft.



HR-301
Hand Rail Wall Mounting Bracket with Binding Screws. Use every 3 feet. No wall fasteners included.

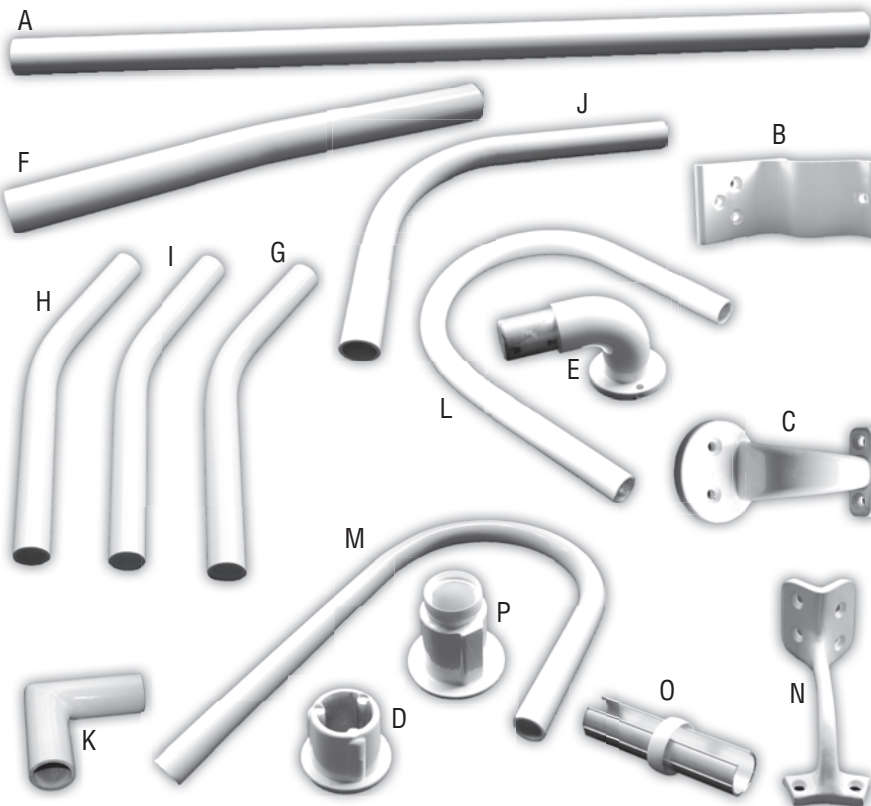
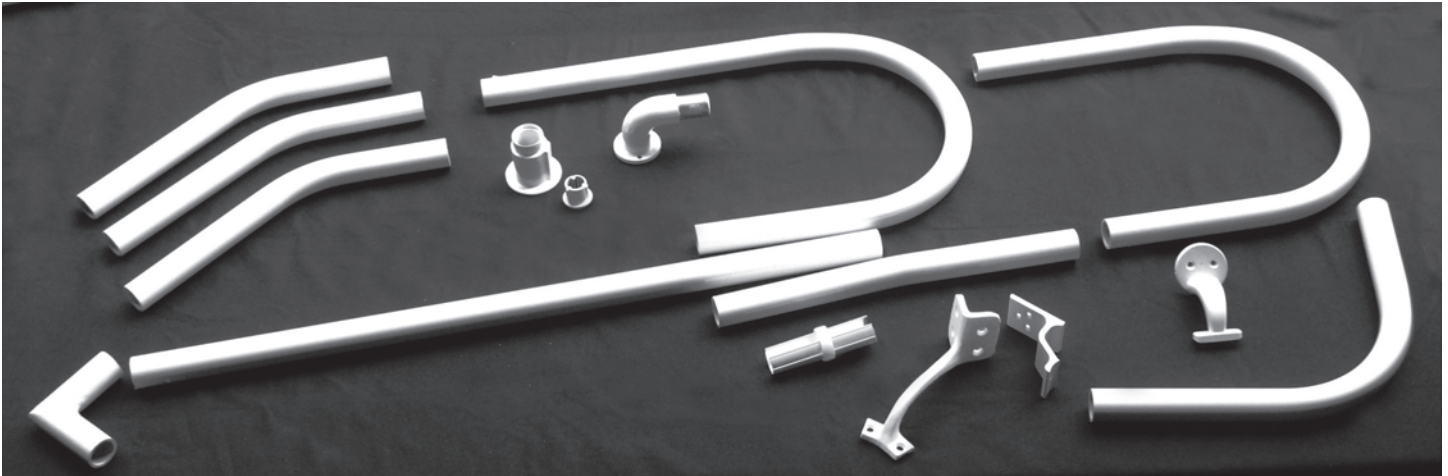


H-302
Extra Hand Rail End Knobs (Set of 2 with Binding Screws.) Used with Top Rail and #76104 mounting brackets.

**CUSTOM DEGREE
RADIUS BENDS AVAILABLE
UPON REQUEST**

STYLE-RITE industries

1.5" SECONDARY HAND RAIL SYSTEM

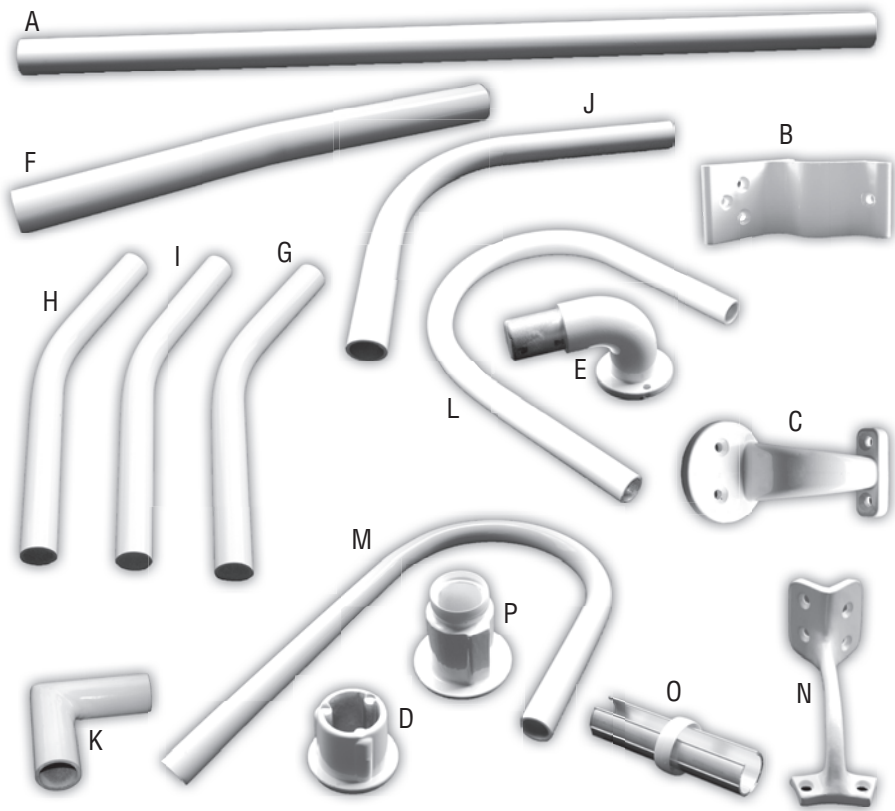


Code	Description
T88.....	.8'8" Secondary RailA
T2.....	.2" Mounting BracketB
T2RB.....	.2.5" Round Mount Bracket.....C
TEC.....	.Rail End Cap.....D
TOR.....	.Offset 90 Degree ReturnE
T5.....	.5 Degree Radius.....F
T32.....	.32 Degree Radius.....G
T34.....	.34 Degree Radius.....H
T36.....	.36 Degree Radius.....I
T90.....	.Outside 90 DegreeJ
T19.....	.Inside Hard 90 DegreeK
TPL.....	.P LoopL
THL.....	.Handicap Loop.....M
TIM.....	.Inside Mounting BracketN
TJ.....	.Aluminum Joiner
TR.....	.Joiner Ring
TRJ.....	.Joiner & Ring ComboO
TLM.....	.Level Mount BracketP

Available Colors: Black, White, Bronze, Clay, Wicker, Almond and Brown.
Custom Powder Coat Colors
 - Available upon Request - Call for Pricing

Style-Rite Industries Secondary Hand Rail Systems are designed to seamlessly blend with Style-Rite Primary Hand Rail schemes to offer an extra level of Safety, Strength and Accessibility. Our Secondary Hand Rail System is a versatile system that can also act alone or compliment a diverse and unique application.

Our easy to install Secondary Hand Rail System is a cost effective solution to satisfy ADA and ICC requirements and is available in a variety of stock colors to enhance the visual appeal of any Railing System apparatus.



Code	Description
------	-------------

T88.....	8'8" Secondary RailA
T2.....	2" Mounting BracketB
T2RB.....	2.5" Round Mount Bracket.....C
TEC.....	Rail End Cap.....D
TOR.....	Offset 90 Degree ReturnE
T5.....	5 Degree Radius.....F
T32.....	32 Degree Radius.....G
T34.....	34 Degree Radius.....H
T36.....	36 Degree Radius.....I
T90.....	Outside 90 DegreeJ
TI9.....	Inside Hard 90 DegreeK
TPL.....	P LoopL
THL.....	Handicap Loop.....M
TIM.....	Inside Mounting BracketN
TJ.....	Aluminum Joiner
TR.....	Joiner Ring
TRJ.....	Joiner & Ring ComboO
TLM.....	Level Mount BracketP

Available Colors: Black, White, Bronze, Clay, Wicker, Almond and Brown.
Custom Powder Coat Colors
 - Available upon Request - Call for Pricing



Square Columns



WHY USE STYLE-RITE ALUMINUM COLUMNS

1. Easy-to-assemble

Just cut to size, interlock sections, install fasteners, slip flange type caps over columns, and assembly is complete.

2. Permanent, trouble free

Style-Rite columns will not rot or split. Wear and weathering have little or no effect. Termite proof.

3. Load-bearing

Style-Rite columns will support patio covers, entrance canopies, covered walkways, and many other structures.

4. Light weight

Assembly is usually a one man operation. This cuts down on labor, material, and handling costs.

5. Finish

Baked-on, white enamel finish which resists chipping, flaking and peeling.

6. Homes

Porches, entrances, patios, foyers, room separators, and sun decks.

7. Apartment buildings

Balcony supports, canopies, hallways, lobby supports, and covered driveways.

8. Churches

Entrances, colonnades, and interiors

9. Shopping centers

Shop entrances, covered walkways, canopies, and other store decor.

10. Other uses

Office buildings, schools, motels, libraries, medical centers, and other commercial and residential structures.



DECORATIVE CAPS

SCAMOZZI:

8" and 10"

CORINTHIAN:

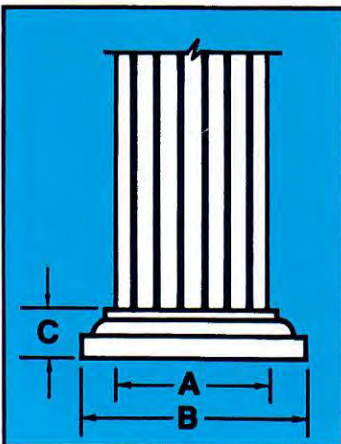
8", 10", 12" and 15"



SMOOTH SQUARE NON FLUTED COLUMNS

6" x 8'	8" x 8'	8" x 16'
6" x 10'	8" x 10'	8" x 20'
6" x 12'	8" x 12'	

ROUND COLUMNS



SIZE	CAP & BASE SIZE INCHES		
	ACT. DIA. A	B	C
6"	5½"	7"	1⅝"
8"	7½"	9⅞"	1¾"
10"	9½"	12⅞"	2¼"
12"	11½"	16"	3½"
15"	14½"	18⅓"	3¾"

SQUARE COLUMNS

SIZE	CAP & BASE SIZE INCHES		
	ACT. SIZE A	B	C
3"	2 ¾"	5 ½" X 4 ¾"	1 ¾"
4"	3 ¾"	5 ⅜"	1 ¾"
6"	5 ½"	7 ⅜"	1 ¾"
8"	7 ½"	9 ⅜"	1 ¾"
10"	9 ½"	11 ⅜"	2"
12"	11 ½"	13 ⅞"	2 ¾"

All aluminum bases are die-cast. 6" and 8" round base also available in PVC.

***Section's nominal size: from center-to-center of posts**

Product Description (Nominal Size*)	Color available	Product Description (Nominal Size*)	Color available
V102 - 2 ft. Rail Section	<input type="checkbox"/> White & <input type="checkbox"/> Beige	VC102 - 2 ft. Colonial Picket Rail Section	<input type="checkbox"/> White
V103 - 3 ft. Rail Section	<input type="checkbox"/> White & <input type="checkbox"/> Beige	VC103 - 3 ft. Colonial Picket Rail Section	<input type="checkbox"/> White
V104 - 4 ft. Rail Section	<input type="checkbox"/> White & <input type="checkbox"/> Beige	VC104 - 4 ft. Colonial Picket Rail Section	<input type="checkbox"/> White
V105 - 5 ft. Rail Section	<input type="checkbox"/> White & <input type="checkbox"/> Beige	VC105 - 5 ft. Colonial Picket Rail Section	<input type="checkbox"/> White
V106 - 6 ft. Rail Section	<input type="checkbox"/> White & <input type="checkbox"/> Beige	VC106 - 6 ft. Colonial Picket Rail Section	<input type="checkbox"/> White
V107 - 7 ft. Rail Section	<input type="checkbox"/> White & <input type="checkbox"/> Beige	VC107 - 7 ft. Colonial Picket Rail Section	<input type="checkbox"/> White
V108 - 8 ft. Rail Section	<input type="checkbox"/> White & <input type="checkbox"/> Beige	VC108 - 8 ft. Colonial Picket Rail Section	<input type="checkbox"/> White
V109 - 9 ft. Rail Section	<input type="checkbox"/> White & <input type="checkbox"/> Beige	VC109 - 9 ft. Colonial Picket Rail Section	<input type="checkbox"/> White
V110 - 10 ft. Rail Section	<input type="checkbox"/> White & <input type="checkbox"/> Beige	VC110 - 10 ft. Colonial Picket Rail Section	<input type="checkbox"/> White
Stair Rails Every Foot up to 8'	<input type="checkbox"/> White & <input type="checkbox"/> Beige	Stair Rails Every Foot up to 8'	<input type="checkbox"/> White
Standard Newel Post 3 3/4" Sq		Post Wraps (White Only)	
VNP38 - 38" Newel Post With Metal Insert	<input type="checkbox"/> White & <input type="checkbox"/> Beige	PW410 - 4" X 10' Post Wrap & Bases	<input type="checkbox"/> White
VNP44 - 44" Newel Post With Metal Insert	<input type="checkbox"/> White & <input type="checkbox"/> Beige	PW610 - 6" x 10' Post Wrap & Bases	<input type="checkbox"/> White
VNP38S - 38" Newel Post Sleeve With Cap & Flange	<input type="checkbox"/> White & <input type="checkbox"/> Beige	PW49 - 4" x 9' Post Wrap & Bases	<input type="checkbox"/> White
VNP44S - 44" Newel Post Sleeve With Cap & Flange	<input type="checkbox"/> White & <input type="checkbox"/> Beige	PW69 - 6" x 9' Post Wrap & Bases	<input type="checkbox"/> White
VNPC - Colonial Newel Post 38"	<input type="checkbox"/> White		
Prestige Post 4" Sq		Post Sleeves	
VNP38P - 38" Newel Post With Metal Insert	<input type="checkbox"/> White & <input type="checkbox"/> Beige	VPS8 - 8 ft. Post Sleeve With Flanges	<input type="checkbox"/> White & <input type="checkbox"/> Beige
VNP44P - 44" Newel Post With Metal Insert	<input type="checkbox"/> White & <input type="checkbox"/> Beige	VPS9 - 9 ft. Post Sleeve With Flanges	<input type="checkbox"/> White & <input type="checkbox"/> Beige
VNP38PS - 38" Newel Post Sleeve With Cap & Flange	<input type="checkbox"/> White & <input type="checkbox"/> Beige	Gates	
VNP44PS - 44" Newel Post Sleeve With Cap & Flange	<input type="checkbox"/> White & <input type="checkbox"/> Beige	VG - 34 1/2" High x 36" Wide Gate	<input type="checkbox"/> White & <input type="checkbox"/> Beige
ACCESSORIES			
V201 - Straight Connectors 4 Per Package	<input type="checkbox"/> White & <input type="checkbox"/> Beige	VPF - Post Sleeve Flange For Standard	<input type="checkbox"/> White & <input type="checkbox"/> Beige
V202 - Stair Connectors 4 Per Package	<input type="checkbox"/> White & <input type="checkbox"/> Beige	VPCP - Post Sleeve Cap For Prestige	<input type="checkbox"/> White & <input type="checkbox"/> Beige
V203 - Center Support Flange	<input type="checkbox"/> White & <input type="checkbox"/> Beige	VPFP - Post Sleeve Flange For Prestige	<input type="checkbox"/> White & <input type="checkbox"/> Beige
VPC - Post Sleeve Cap for Standard	<input type="checkbox"/> White & <input type="checkbox"/> Beige	AC - Aluminum Channel Per Foot	<input type="checkbox"/> White & <input type="checkbox"/> Beige
VPA - Porch Post with Extruded Aluminum Inner Posts (5" x 9' Colonial - 5" x 9' Sq. Smooth) (Load 20,000 lb)	<input type="checkbox"/> White		

Each section includes top and bottom rails, balusters and all necessary rail brackets and hardware.

Product Description (Nominal Size*)	Exact Width	Color available
Universal Post 4 x 4 x 36 (with post bracket, cap & base)	3.8" x 3.8"	<input type="checkbox"/> White & <input type="checkbox"/> Beige
Universal Post 4 x 4 x 42 (with post bracket, cap & base)	3.8" x 3.8"	<input type="checkbox"/> White & <input type="checkbox"/> Beige
Square Universal Post Sleeve 4 x 4 x 44	3.8" x 3.8"	<input type="checkbox"/> White & <input type="checkbox"/> Beige
Post Sleeve 4 x 4 x 8', 9' & 10' (with 2 base moldings)	4" x 4"	<input type="checkbox"/> White
Post Wrap 4 x 4 x 108 (with top & bottom moldings)	3.9" x 3.9"	<input type="checkbox"/> White
Post Wrap 4 x 4 x 120 (with top & bottom moldings)	3.9" x 3.9"	<input type="checkbox"/> White
Post Wrap 6 x 6 x 108 (with top & bottom moldings)	5.9" x 5.9"	<input type="checkbox"/> White
Post Wrap 6 x 6 x 120 (with top & bottom moldings)	5.9" x 5.9"	<input type="checkbox"/> White
Classic Gate 36"H x 36"L (hardware not included)	36"	<input type="checkbox"/> White & <input type="checkbox"/> Beige
Colonial Gate 36"H x 36"L (hardware not included)	36"	<input type="checkbox"/> White
Square Post Cap 4 x 4	—	<input type="checkbox"/> White
Square Post Base Trim 4 x 4	—	<input type="checkbox"/> White
Regular Brackets (pack of 4)	—	<input type="checkbox"/> White & <input type="checkbox"/> Beige
Stair/Angle Brackets (pack of 4)	—	<input type="checkbox"/> White & <input type="checkbox"/> Beige

- Maintenance-Free
- Easy to Install
- Weather Resistant
- Permanent Color
- 20 Year Warranty
- Strong and Durable



Post Wrap



Colonial Porch Post

DESIGNER VINYL RAIL

Classic



Also available in beige

Colonial



Porch Post



108" x 5" x 5"
Heavy Duty Square
Smooth Porch Post



108" x 5" x 5"
Heavy Duty
Colonial Porch Post

The Designer Vinyl Rail Classic & Colonial are built to last! With UV stabilizers and a high impact durable finish, the Designer Vinyl Rail Classic & Colonial will stand the test of time and mother nature. Improve your outdoor lifestyle with Style-Rite maintenance free products!

Rail heights available in 36" and 42".

Straight lengths are from 2' every foot up to 10' and are exact lengths, stair lengths 2' every foot up to 8'.

Gate available in all sizes.

Porch post and newel post sold separately.

Won't crack, rot or peel.

All railing systems are 100% vinyl.

Available in white and beige.

Tested and passed the ASTM standards.

Not just a fair weather friend!

